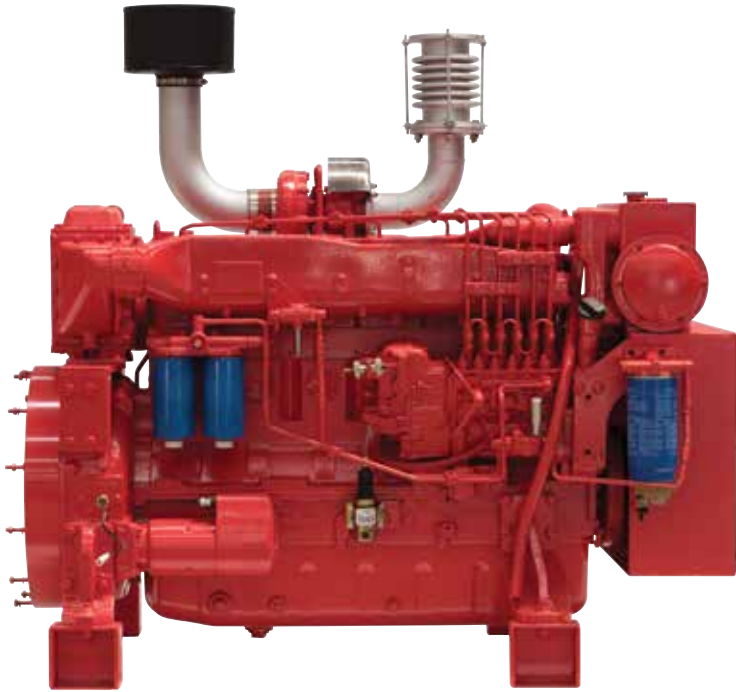


# WEICHAI

## WD10 264kw | 353hp



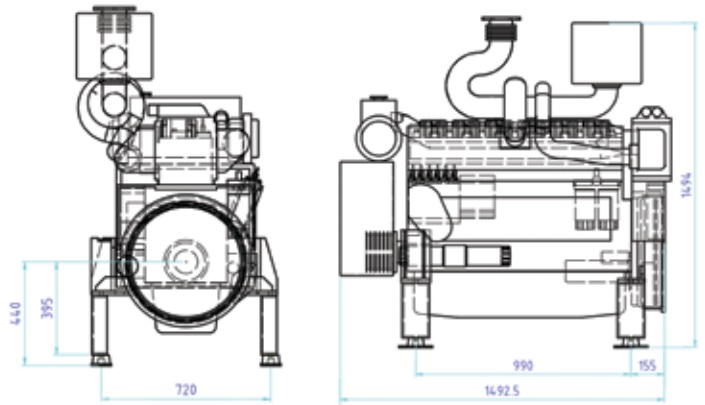
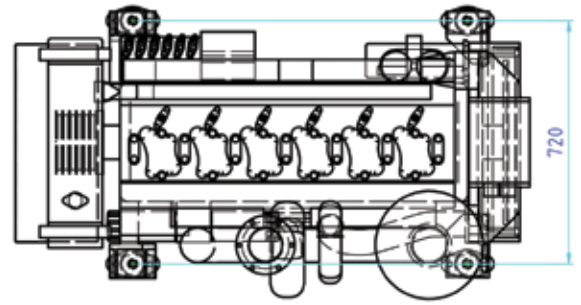
Looking for the engine that sits in the hard to find horsepower ranges?  
Want simple mechanical reliability, minimum electronics maximum mechanical reliability?

**WEICHAI IS THE ANSWER.**

- 1 year unlimited hour warranty
- Fully backed warranty and support
- Full range of parts in stock
- Proven track record
- Ultimate reliability - Trusted to power fire pumps in high rise and commercial buildings

# WD10 264kw | 353hp

Number of Cylinders	6
Voltage	24 V
Flywheel Housing (SAE)	1
Flywheel (SAE)	11.5"
Cooling	Heat Exchanger
Aspiration	Turbo Charged
Rotation	Clock Wise
Weight (kg)	1056
Compression Ratio	17:1
Displacement (litres)	9.7
Engine Type	4 Stroke
Bore & Stroke (mm)	126 x 130



### Certified Power Rating

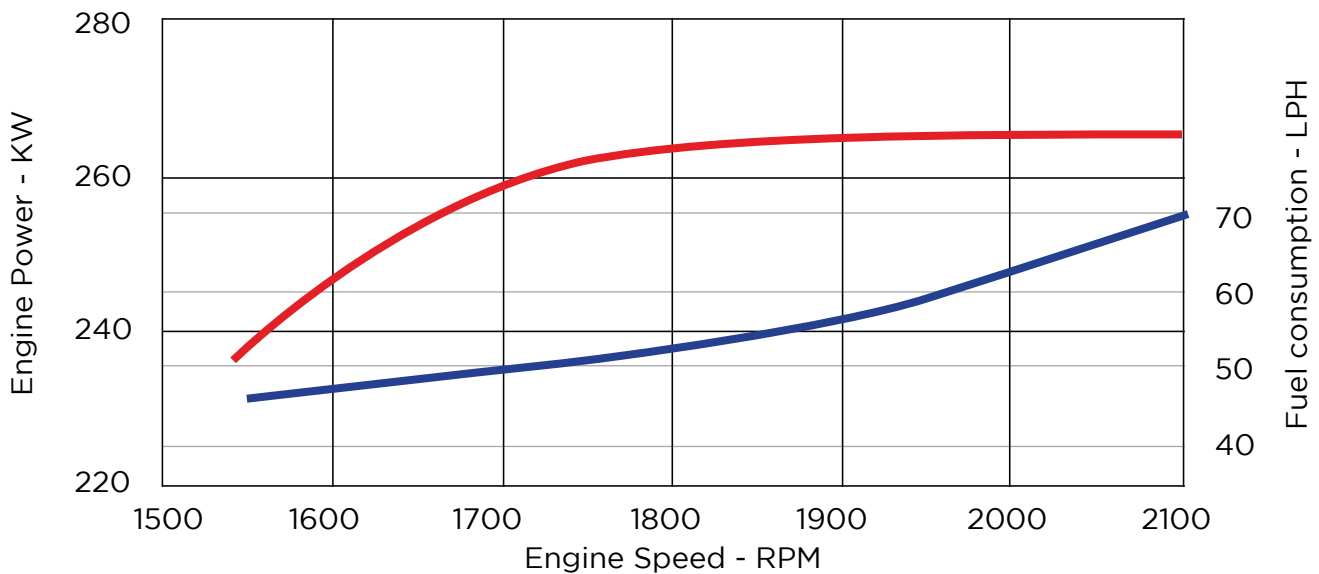
- \* Each engine is factory tested to verify power and performance
- \* AS2941 power ratings are shown at specific speeds.  
These engines can be applied at a single rated RPM setting + or - 50RPM

### Engine Performance

Standard Conditions: (SAE J1349, ISO 3046)  
25C air inlet temperature  
#2 diesel fuel

### Restricted

Use only for stand-by fire pump  
Applications to AS2941



**Proven Quality, Reliability and Performance**

Factory 2 135 Derrimut Drv, Derrimut 3030

P 03 8353 2414

F 03 8353 2416

W [weichai.com.au](http://weichai.com.au)

E [info@weichai.com.au](mailto:info@weichai.com.au)