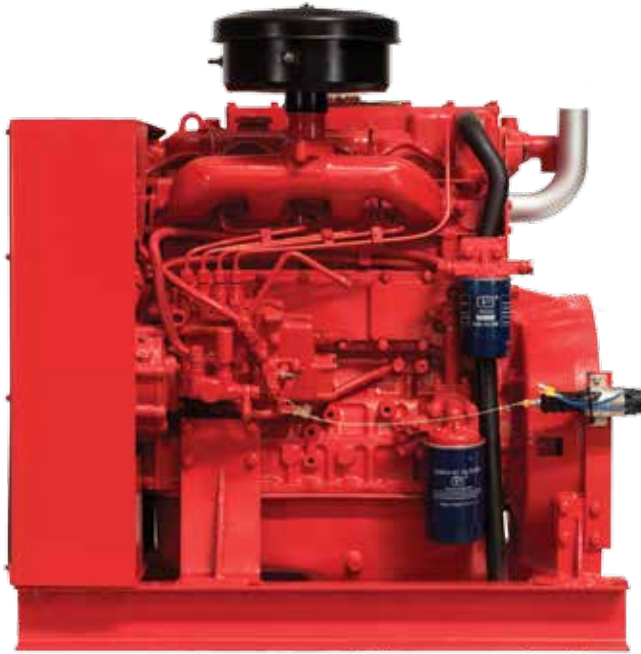


# WEICHAI

## WP3.9C 45kw | 60hp



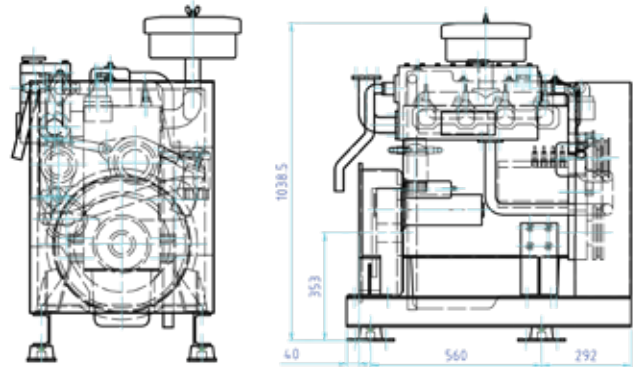
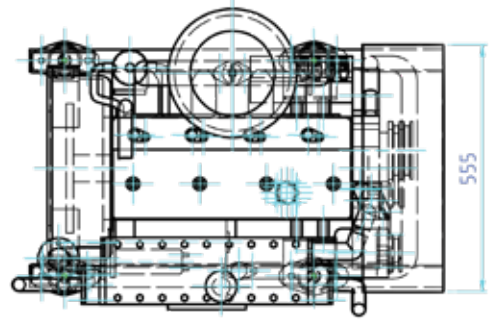
Looking for the engine that sits in the hard to find horsepower ranges?  
Want simple mechanical reliability, minimum electronics maximum mechanical reliability?

**WEICHAI IS THE ANSWER.**

- 1 year unlimited hour warranty
- Fully backed warranty and support
- Full range of parts in stock
- Proven track record
- Ultimate reliability - Trusted to power fire pumps in high rise and commercial buildings

# WP3.9C 45kw | 60hp

Number of Cylinders	4
Voltage	12 V
Flywheel Housing (SAE)	3
Flywheel (SAE)	10"
Cooling	Heat Exchanger
Aspiration	Natural Aspirated
Rotation	Clock Wise
Weight (kg)	450
Compression Ratio	7.5:1
Displacement (litres)	3.9
Engine Type	4 Stroke
Bore & Stroke (mm)	102 x 108



### Certified Power Rating

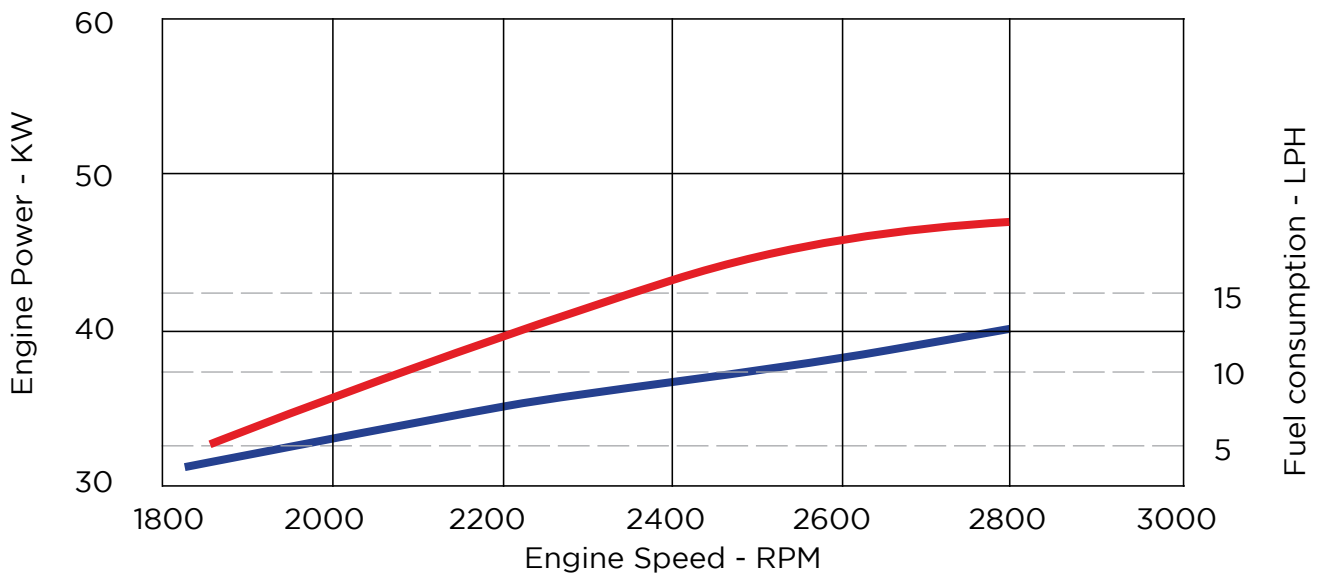
- \* Each engine is factory tested to verify power and performance
  - \* AS2941 power ratings are shown at specific speeds.
- These engines can be applied at a single rated RPM setting + or - 50RPM

### Engine Performance

Standard Conditions: (SAE J1349, ISO 3046)  
 25C air inlet temperature  
 #2 diesel fuel

### Restricted

Use only for stand-by fire pump  
 Applications to AS2941



**Proven Quality, Reliability and Performance**

Factory 2 135 Derrimut Drv, Derrimut 3030

P 03 8353 2414

F 03 8353 2416

W [weichai.com.au](http://weichai.com.au)

E [info@weichai.com.au](mailto:info@weichai.com.au)